



GENERAL DESCRIPTION

This family of SAW (surface acoustic wave) filters is designed for wireless access (base station) applications. They provide exceptionally low amplitude and phase ripple to meet the demanding needs of CDMA, 3-G, GPS, WLAN, and related applications. These filters are available in standard bandwidths from 1MHz to 8.5MHz (plus 41.5MHz for CDMA2000). Available center frequencies range from 69.99 to 549.5MHz. SMT and DIP packages are available.

APPLICATIONS

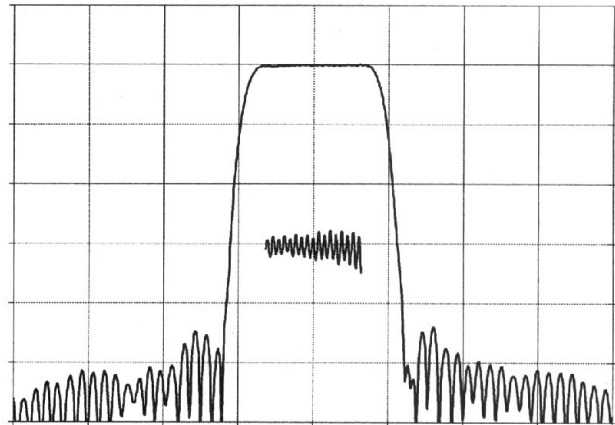
- CDMA, CDMA2000
- 3-G, IMT2000
- Wireless Data
- Base Station
- Multi-Carrier Power Amplifiers
- Repeaters

FEATURES

- SAW bandwidths for all air interfaces
- SAW center frequencies from 69.99 to 549.5MHz (Specify center frequency at time of order)
- Low loss and high selectivity
- Low amplitude ripple for high order modulation systems
- Packages inc.: SMT (from 5 x 5mm to 25 x 9mm), DIP-DB (73 x 20mm), DIP-A (35 x 21mm), DIP-DL (25 x 13mm), and DIP-O (22 x 12mm)

TYPICAL BANDPASS RESPONSE

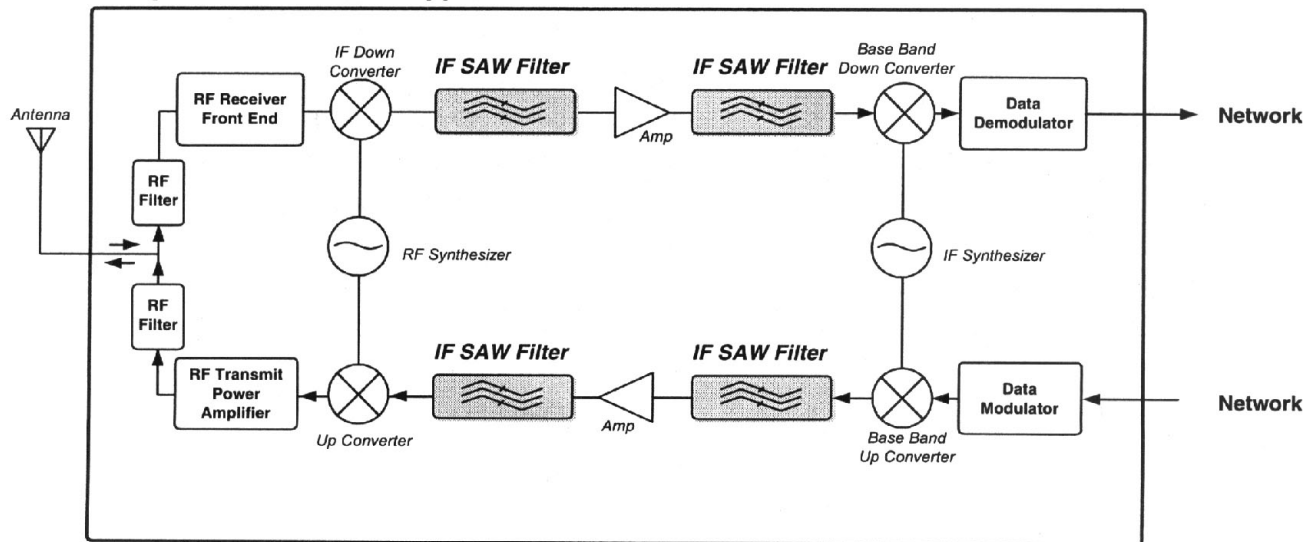
3-G Application, SF0326CD21924S, Bandwidth: 15 MHz



Horizontal: 10 MHz/div; Center Frequency: 326.4 MHz
Vertical: 10 dB/div (amp), 40 nsec/div (delay)

BLOCK DIAGRAM

Simplified Base Station Application





SAW FILTERS FOR WIRELESS ACCESS

Part Number	Frequency (MHz)	Bandwidth (MHz)	Insertion Loss (dB)	Package (mm)	Primary Application
SF0070CD21803T	69.99	1.26	22	DIP-DB, 73x20	CDMA
SF0070CD01803T	70	1.26	22	DIP-DB, 73x20	CDMA
SF0070CD02255T	70	3.95	26	DIP-O, 22x12	CDMA, 3-G
SF0070CD02261S	70	3.8	28	SMT, 25x9	CDMA, 3-G
SF0070CD02190T	70	8.15	22	DIP-A, 35x21	CDMA, 3-G
SF0080CD01934T	80	1.26	22	DIP-DB, 73x20	CDMA
SF0115CD01490T	114.99	1.4	25	DIP-DL, 25x13	CDMA
SF0115CD02260T	114.99	1.23	19	DIP-DL, 25x13	CDMA
SF0137BA02305S	137.5	1	14	SMT, 19x6.5	Wireless Data
SF0140CD02198T	140	8.5	25	DIP-O, 22x12	CDMA, 3-G
SF0140BA01969T	140	41.5	25	DIP-O, 22x12	CDMA2000
SF0141CD01968S	141	1.05	14	SMT, 19x6.5	CDMA, CDMA2000
SF0150CD01804S	150	1.18	25	SMT, 19x6.5	CDMA
SF0150CD01952S	150	8	12	SMT, 13.3x6.5 12pads	CDMA, 3-G
SF0160CD02253T	160	2	21	DIP-O, 22x12	CDMA, IMT2000
SF0160CD02254T	160	4	25	DIP-O, 22x12	CDMA, IMT2000
SF0185BA02302S	185	4.5	25	SMT, 9x7	GPS
SF0190CD01937S	190	4	13	SMT, 13.3x6.5 12pads	CDMA, 3-G
SF0238CD31946S	238.8	4.3	12	SMT, 13.3x6.5 10pads	CDMA, 3-G
SF0238CD01959S	238.8	4.3	12	SMT, 13.3x6.5 10pads	CDMA, 3-G
SF0250CD21922S	249.6	3.84	20	SMT, 7x5	CDMA, 3-G
SF0261CD12245S	261.1	3.84	13	SMT, 13.3x6.5 12pads	CDMA, 3-G
SF0280BA01984S	280	17	10	SMT, 5 x 5	WLAN
SF0326CD21924S	326.4	15	18	SMT, 7x5	CDMA, 3-G
SF0326CD01927S	326.4	15	19	SMT, 7x5	CDMA, 3-G
SF0300BA01973S	300	3.2	19	SMT, 13.3x6.5 10pads	Wireless Data
SF0326CD01927S	326.4	15	19	SMT, 7x5	CDMA, 3-G
SF0380BA02266S	380	8.2	20	SMT, 7x5	WLAN
SF0384BA01980S	384	2	8	SMT, 7x5	Wireless Data
SF0550BA01964S	549.5	1	11	SMT, 9x7	WLAN